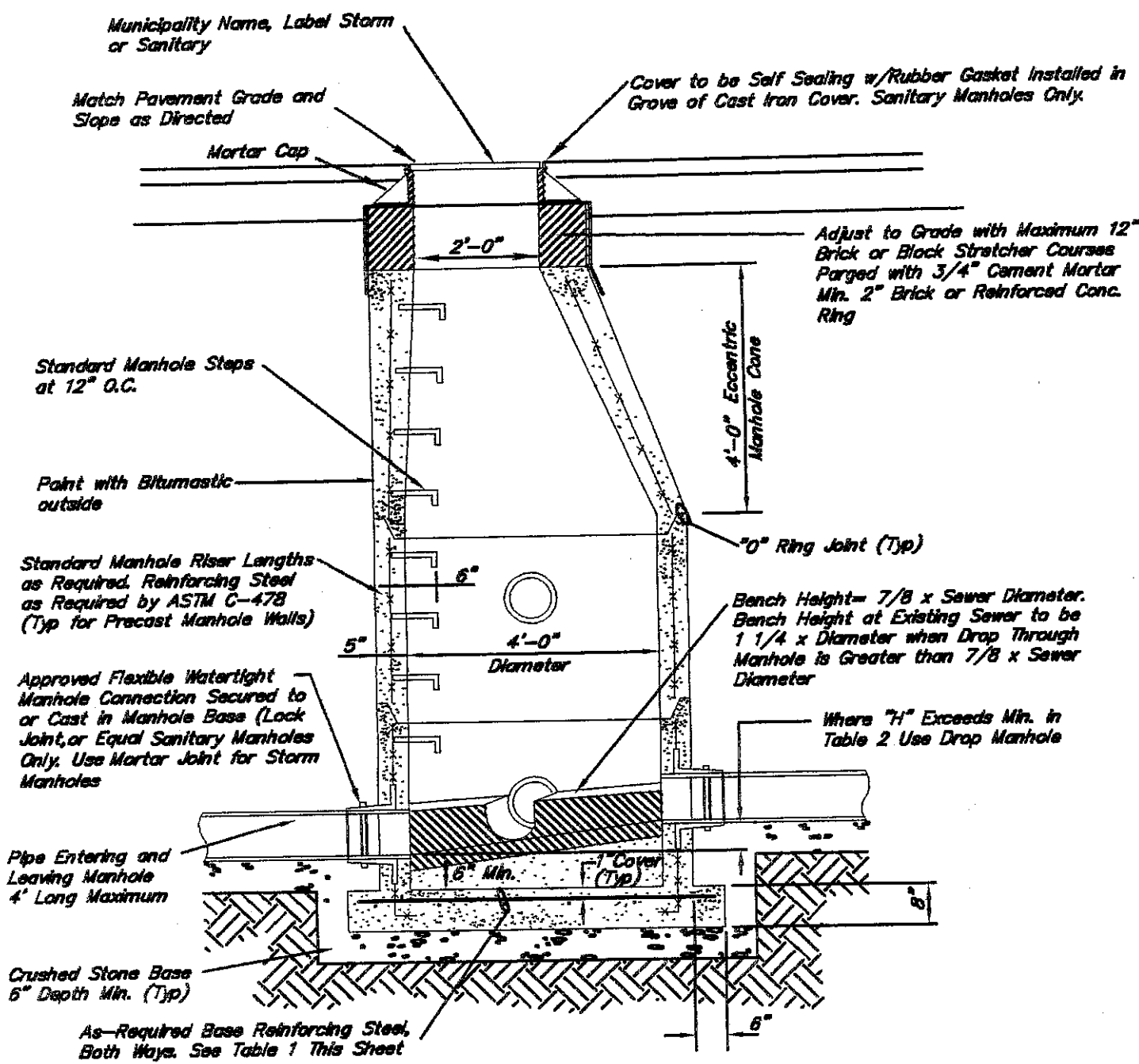
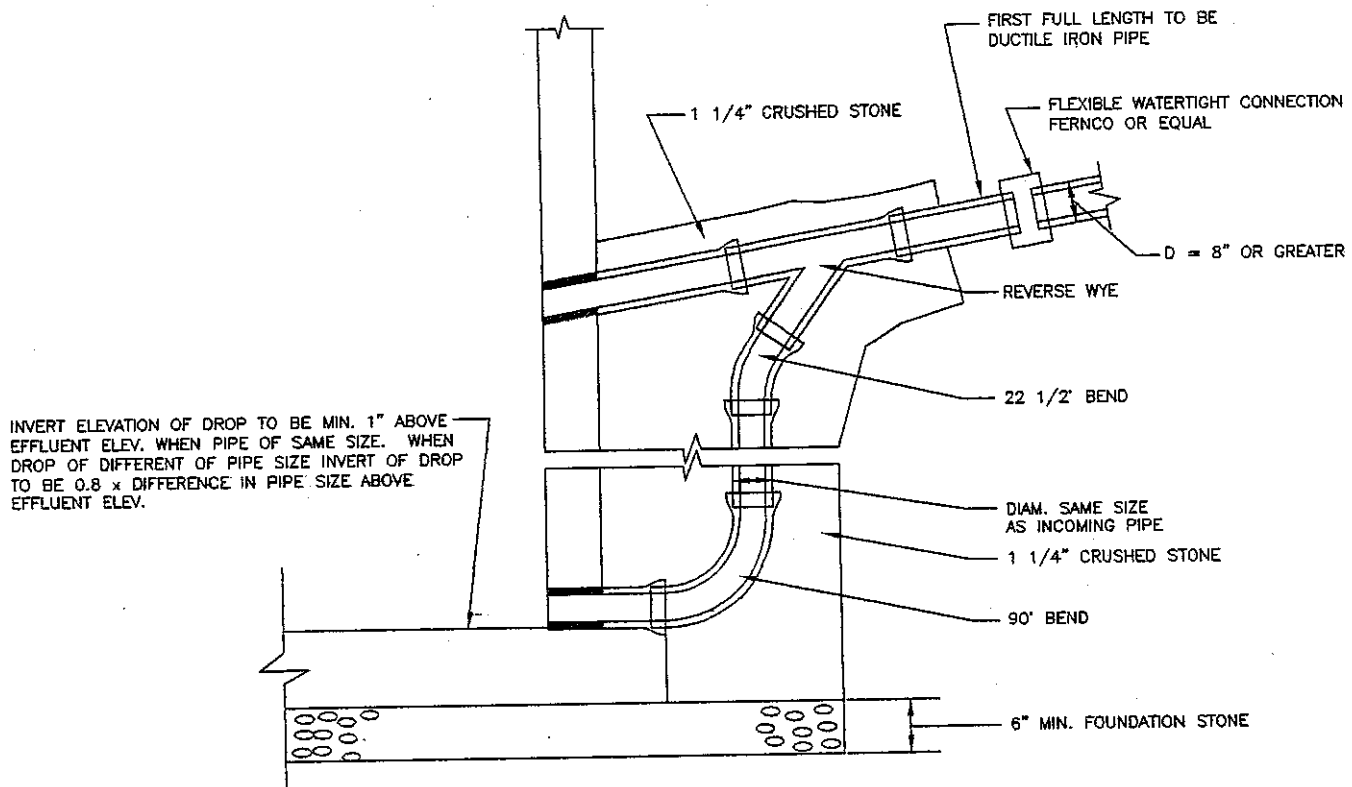


STANDARD (48") MANHOLE DETAIL

Scale: $1/2" = 1'-0"$



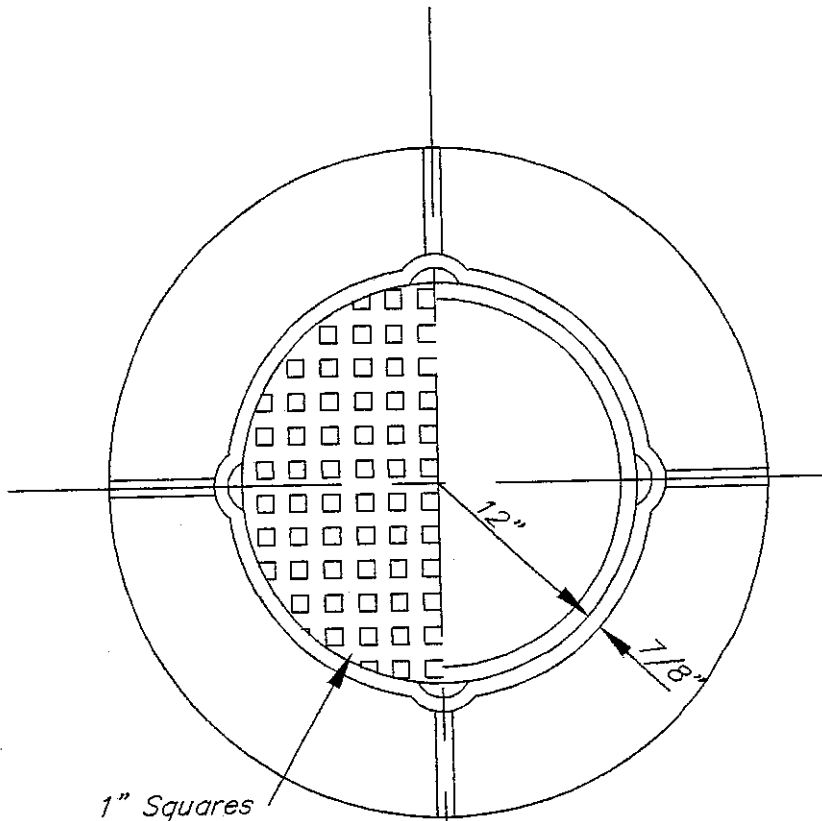
STANDARD MANHOLE SECTION A-A



NOTE:
ALL SANITARY SEWER PIPE AND FITTINGS SHALL BE DUCTILE IRON.

PVC INSIDE DROP IS PERMITTED IN 5'-0" INSIDE DIAMETER MANHOLES ONLY.

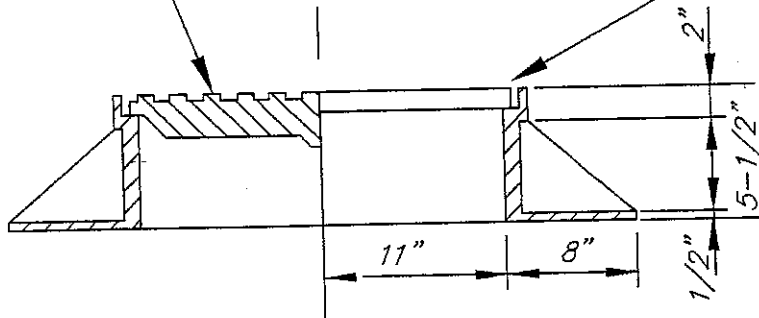
STANDARD MANHOLE SECTION B-B



1" Squares
1" Apart

Cover to be Self Sealing w/Rubber
Gasket installed in Groove of Cast
Iron Cover.

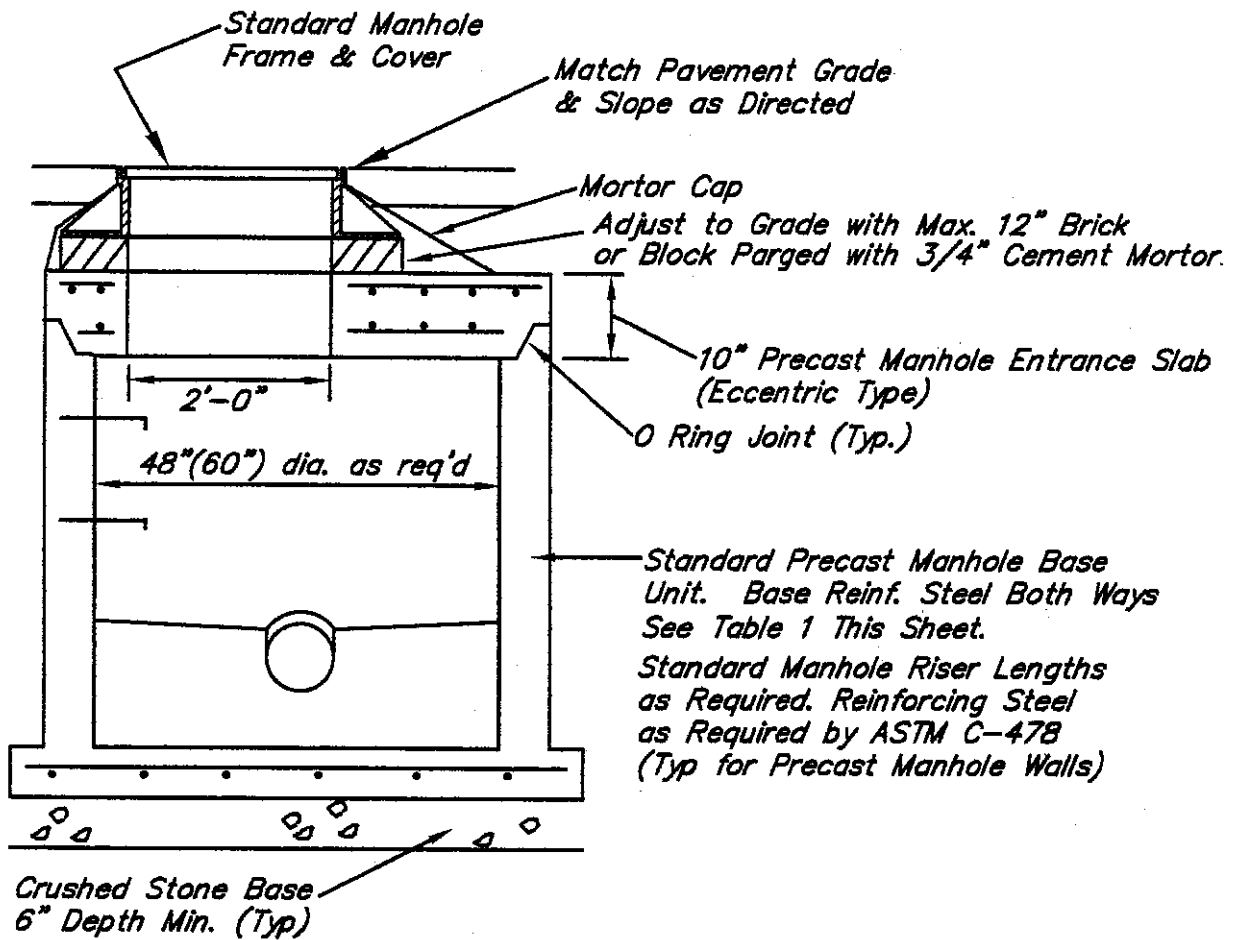
Manholes located outside the
Travelway shall have Locking
Covers.



STANDARD MANHOLE FRAME & COVER

SCALE: 1"=1'-0"

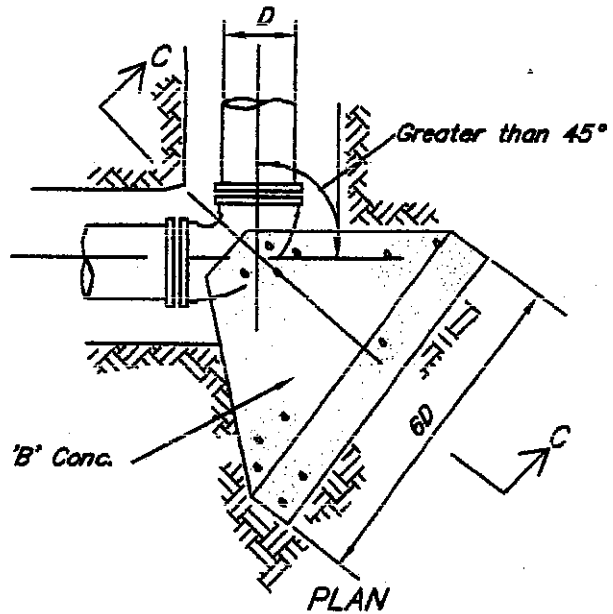
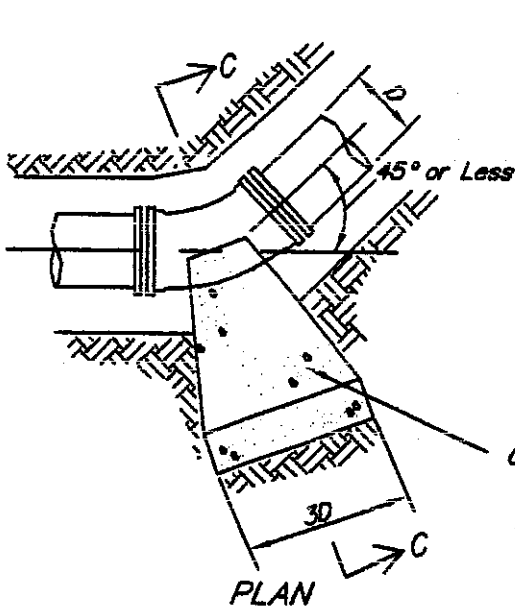
Note: Campbell Foundry Inc.
Pattern No. 1121 or Equal



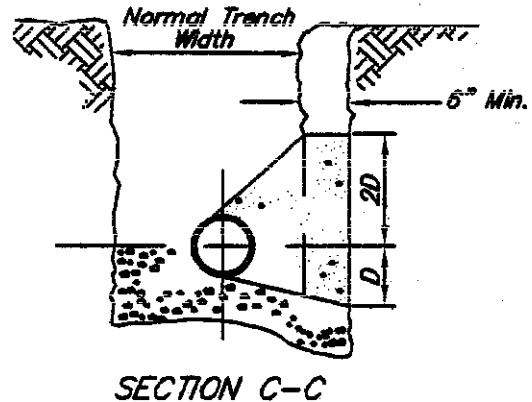
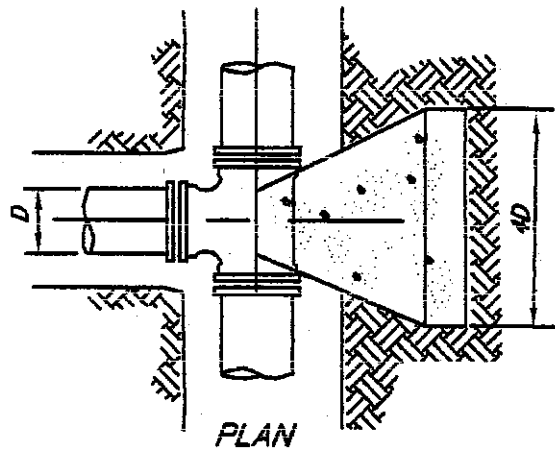
SECTION

SHALLOW MANHOLE DETAILS

Scale: 1/2"=1'-0"



Class 'B' Conc.

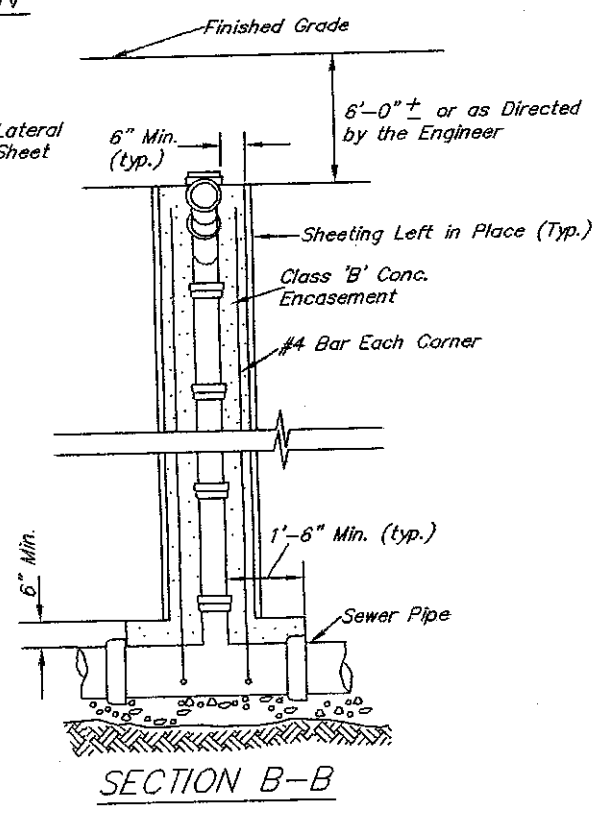
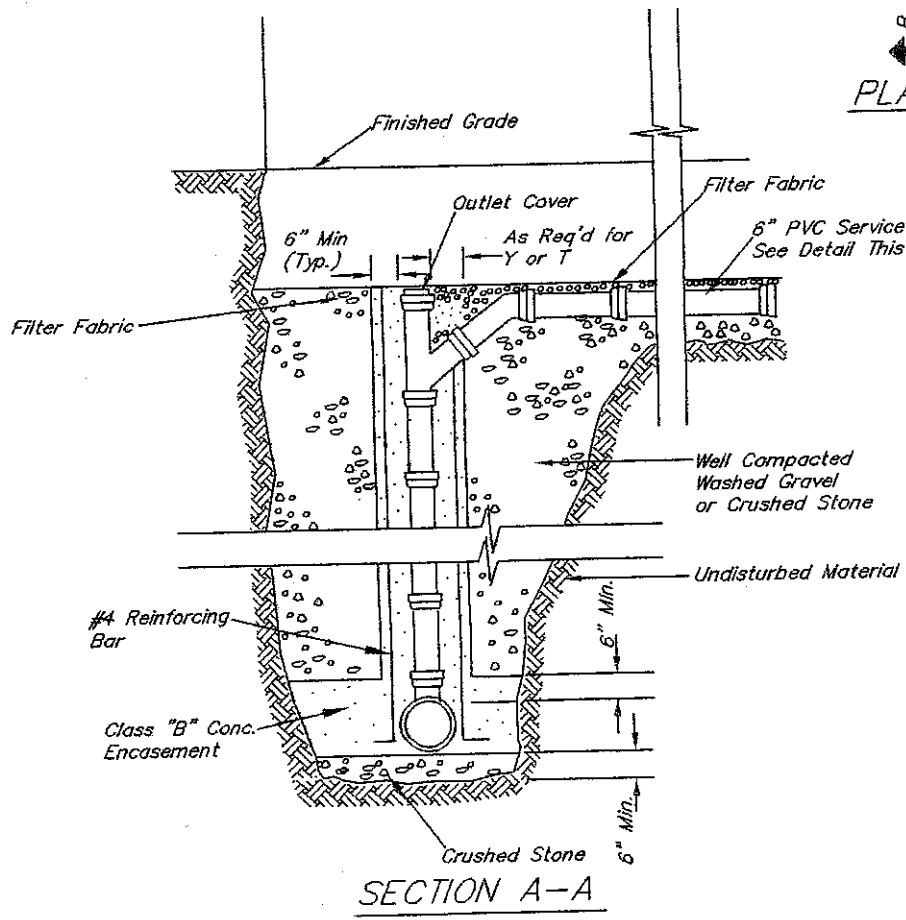
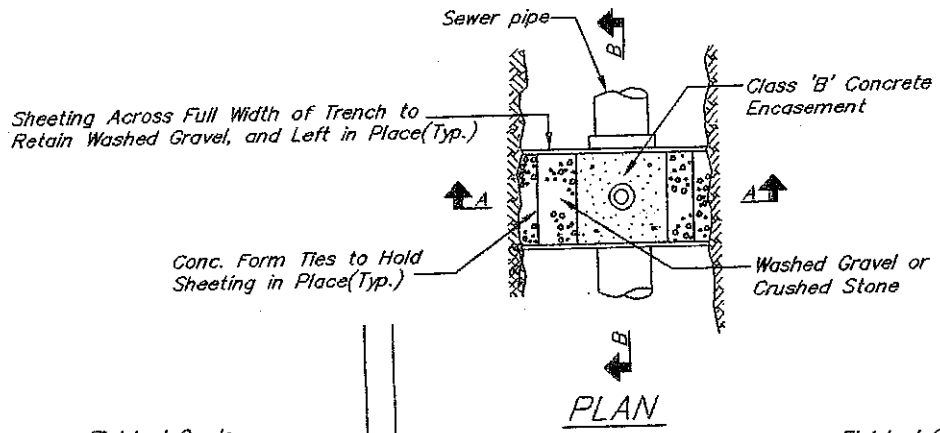


NOTES:

- 1) Anchors Based On Maximum Allowable Water Pressure of 125 PSI
- 2) Trench Shall Be Excavated to Firm Material Immediately Prior to Placing Concrete.

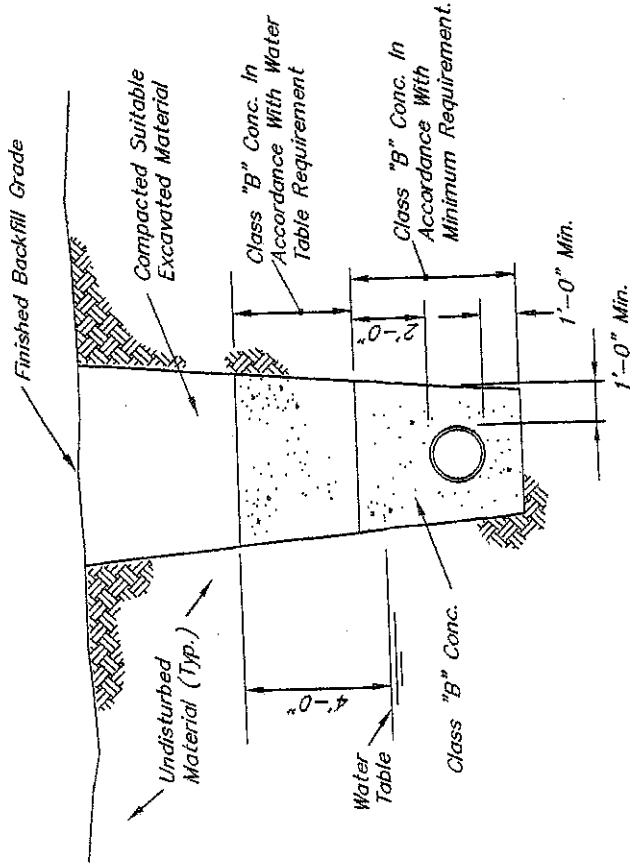
CONCRETE THRUST BLOCKS

Scale: 1/2"=1'-0"



TYPICAL CHIMNEY DETAIL
 Scale: 3/8"=1'-0"

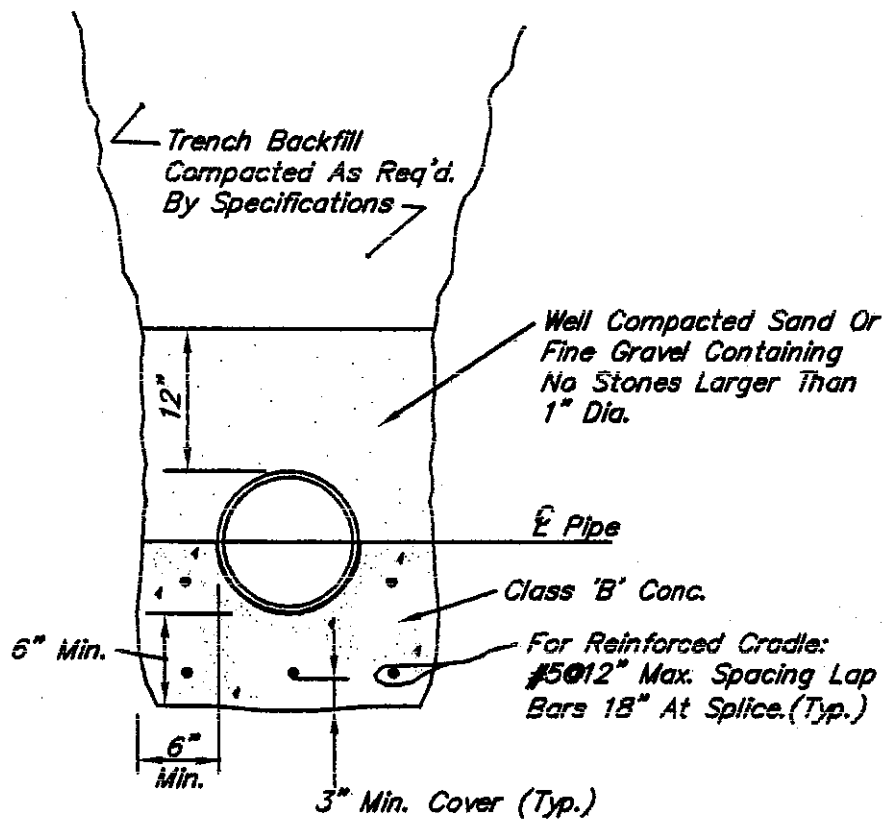
Note: Precast Chimney Can be Substituted.



1. Lateral Limits Of Concrete Placement Shall Be To Suitable Undisturbed Soil With A Minimum Interrupter Thickness of 1 Foot. The Upper Limit Of Concrete Placement Shall Be 2 Feet Above The Outside Of The Sewer Main Or 4 Feet Above The Existing Water Table, Which Ever Is Greater, But Not To Exceed The Finished Backfill Grade Or Bottom Of Roadway Section.
2. Payment For All Work In Connection With Trench Drain Interrupter Construction Shall Be Made At The Unit Price Bid Per Cubic Yard For Class "B" Concrete.
3. Trench Drainage Interrupter Shall Be Installed In Locations Shown On The Drawings Or As Directed By The Engineer.
4. Ripley's Dan or Approved Equal can be Substituted.

CROSS SECTION -
TRENCH DRAINAGE INTERRUPTER

Scale: 1/4"=1'-0"

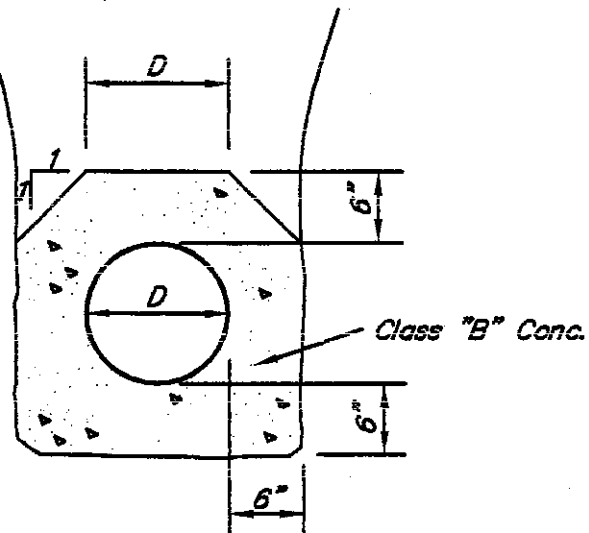


NOTE: Cradle Shall Be Reinforced Or Non-Reinf. Conc.
As Shown On The Drawings Or As Directed By The Engineer.

CONCRETE CRADLE DETAIL

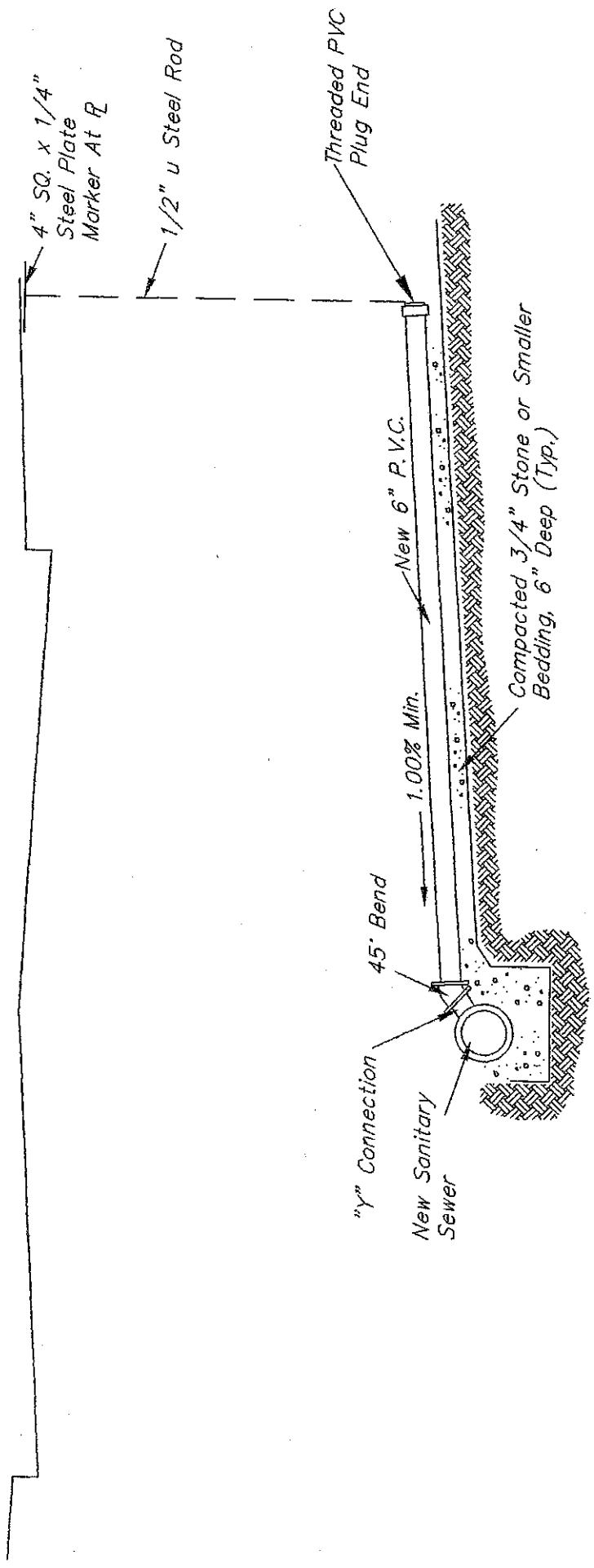
Scale: $\frac{3}{4}" = 1'-0"$

*NOTE: Brace Pipe Adequately To
Prevent Flotation During
Concrete Placement.*



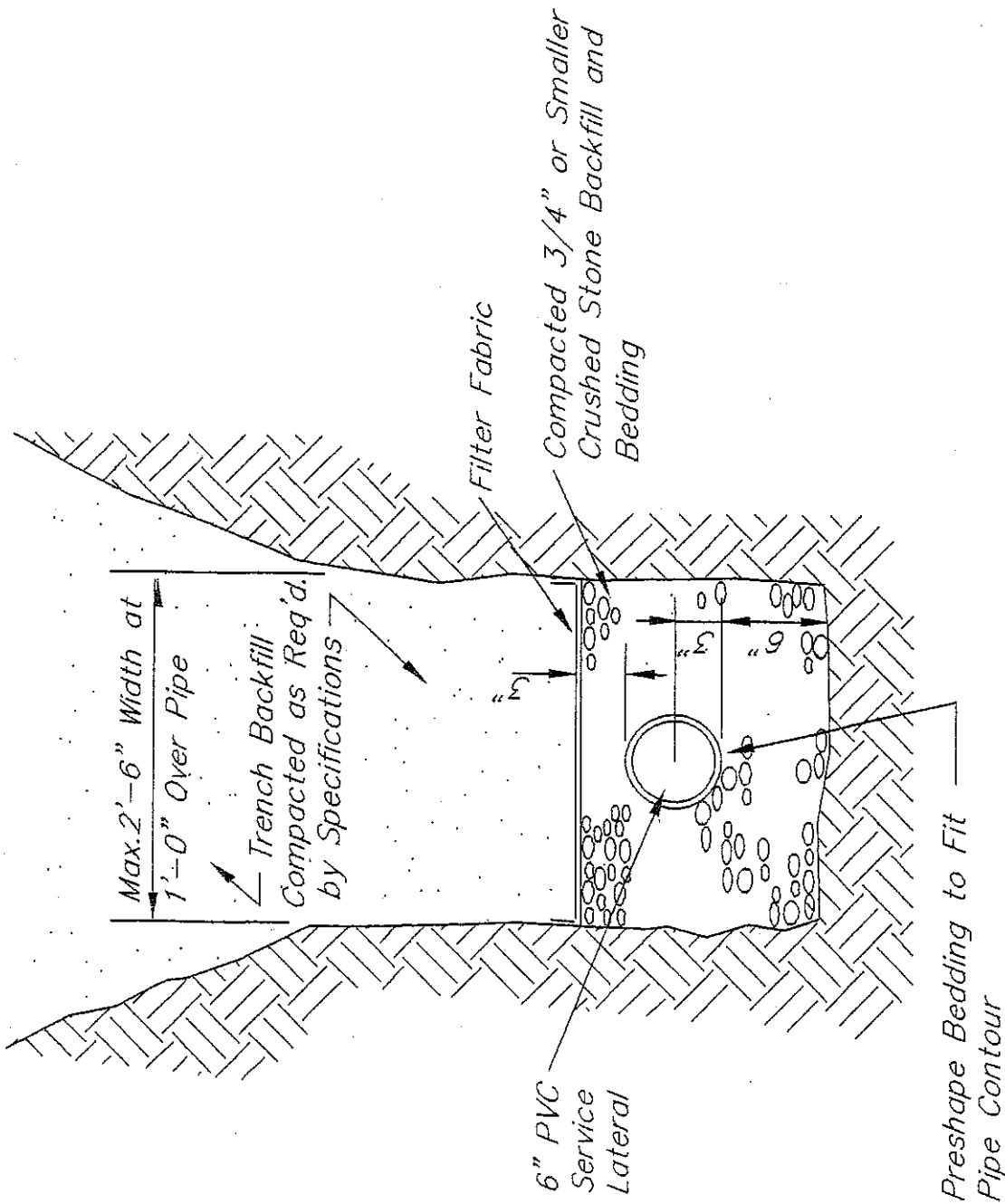
CONCRETE ENCASEMENT
DETAIL

Scale: $3/4" = 1'-0"$



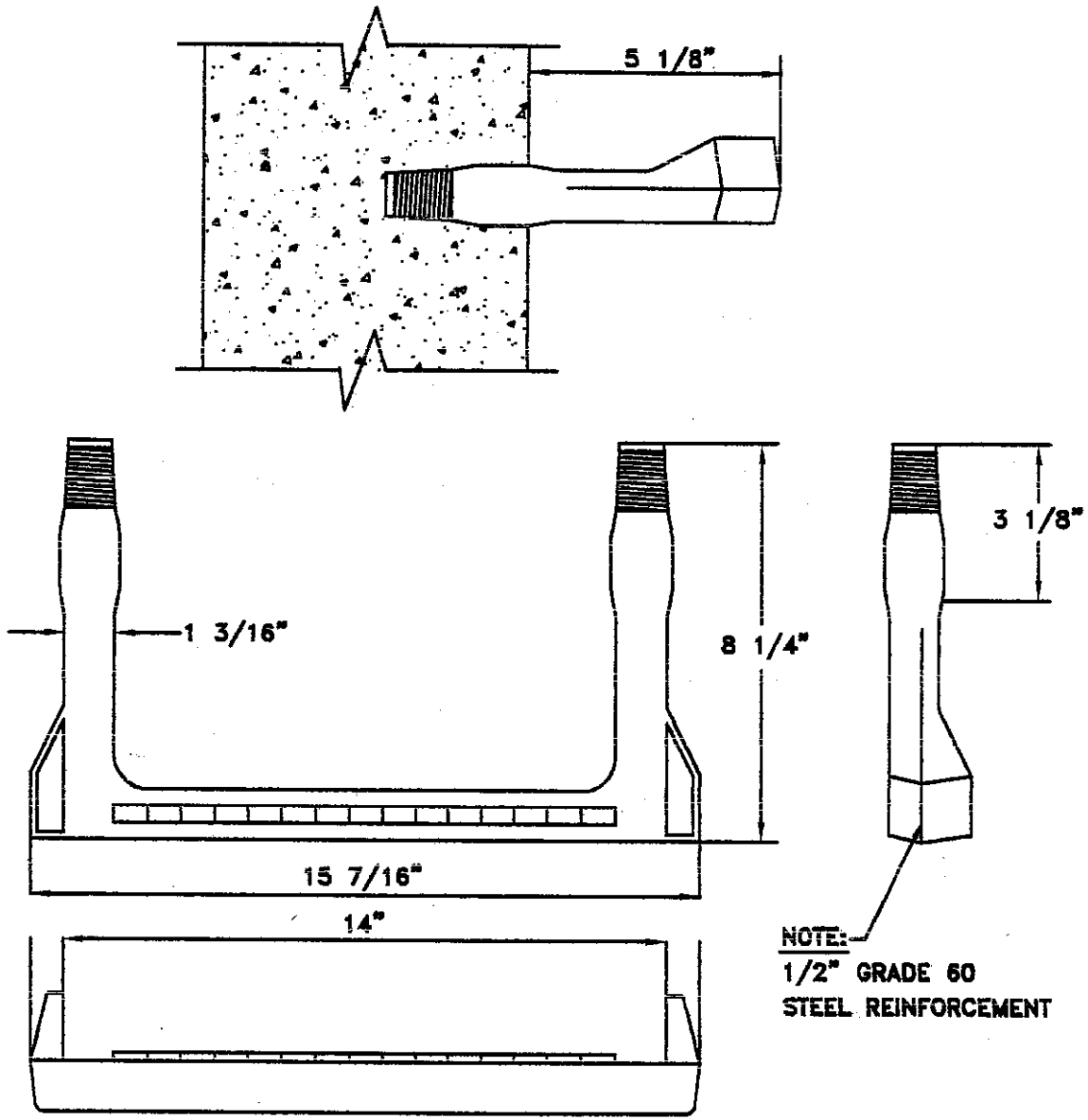
SERVICE LATERAL CONNECTION

NTS



SERVICE LATERAL BEDDING DETAIL

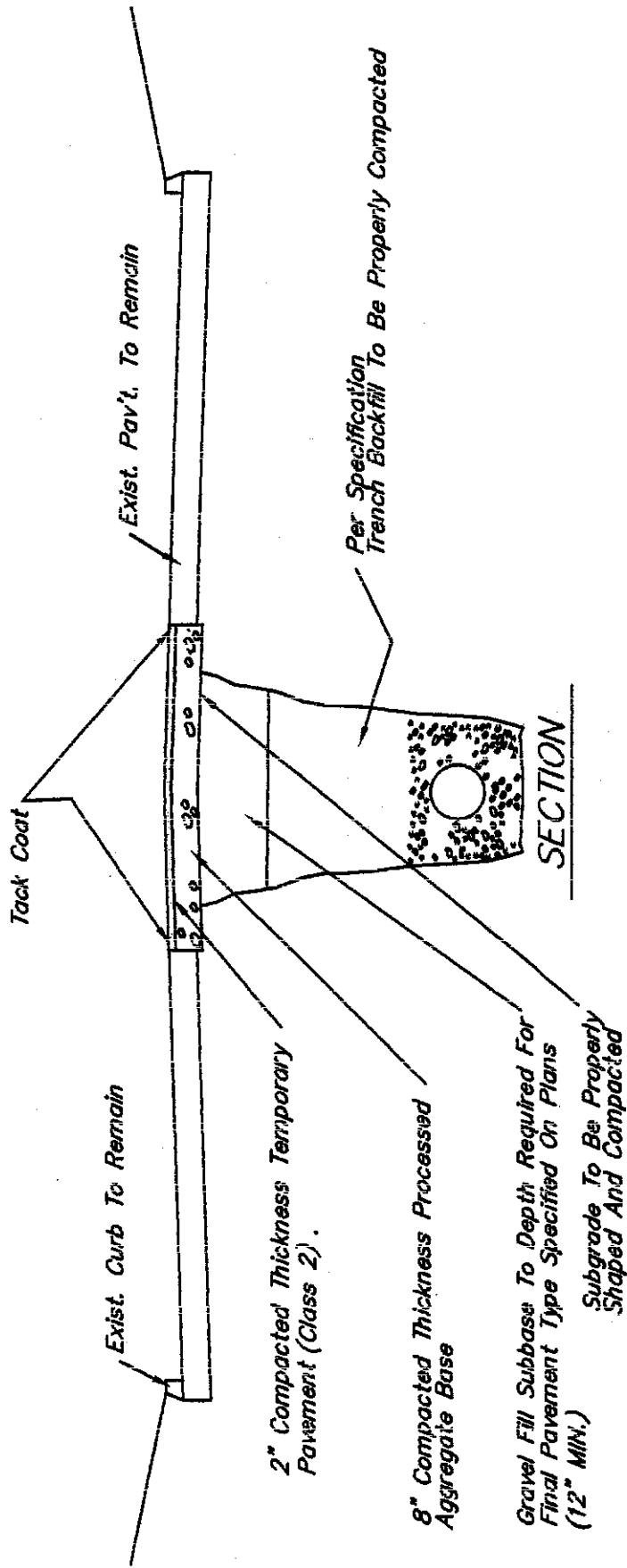
NTS



NOTE:
 $1/2''$ GRADE 60
 STEEL REINFORCEMENT

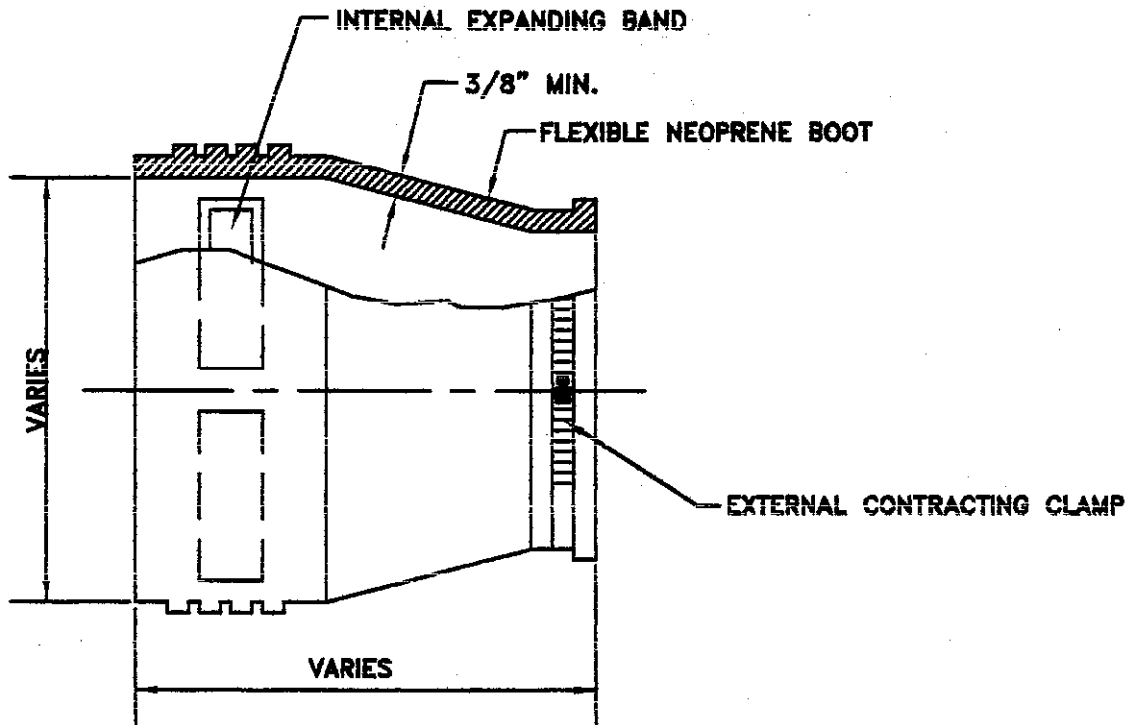
MANHOLE STEP DETAIL

N.T.S.



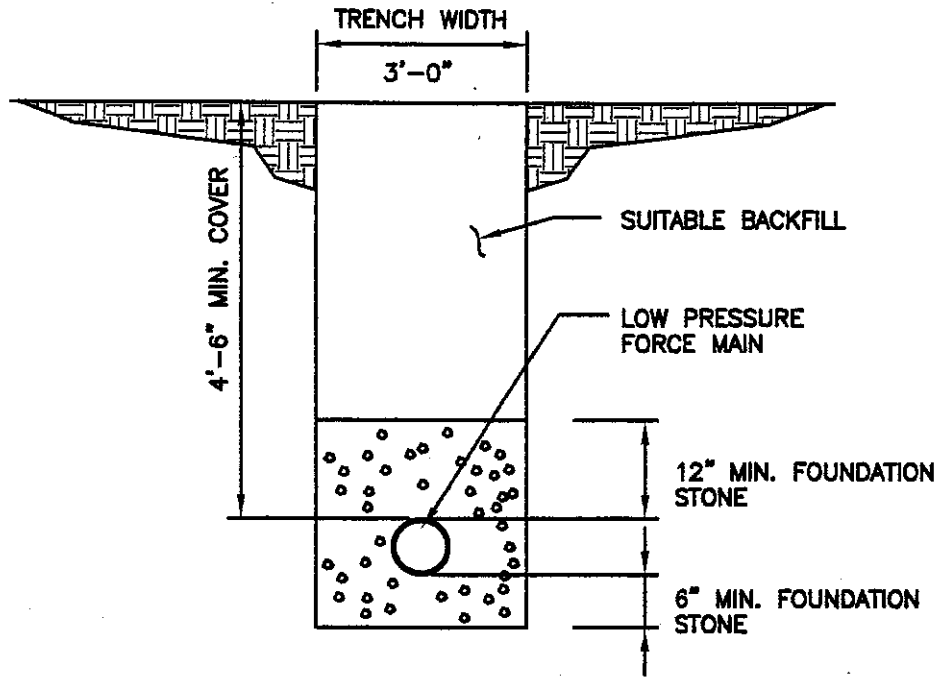
TYPICAL TEMPORARY PAVEMENT

Scale: 1/4"=1'-0"



FLEXIBLE PIPE TO
MANHOLE CONNECTION

N.T.S.



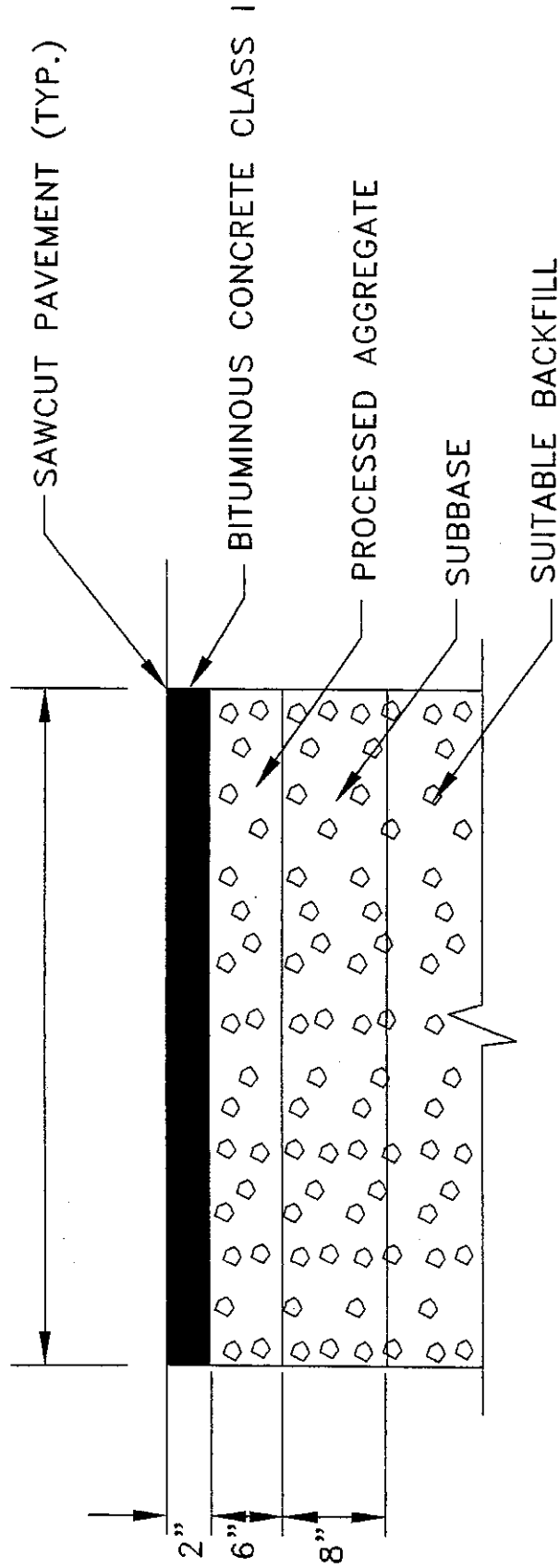
TRENCH DETAIL

TYPICAL LOW PRESSURE

FORCE MAIN

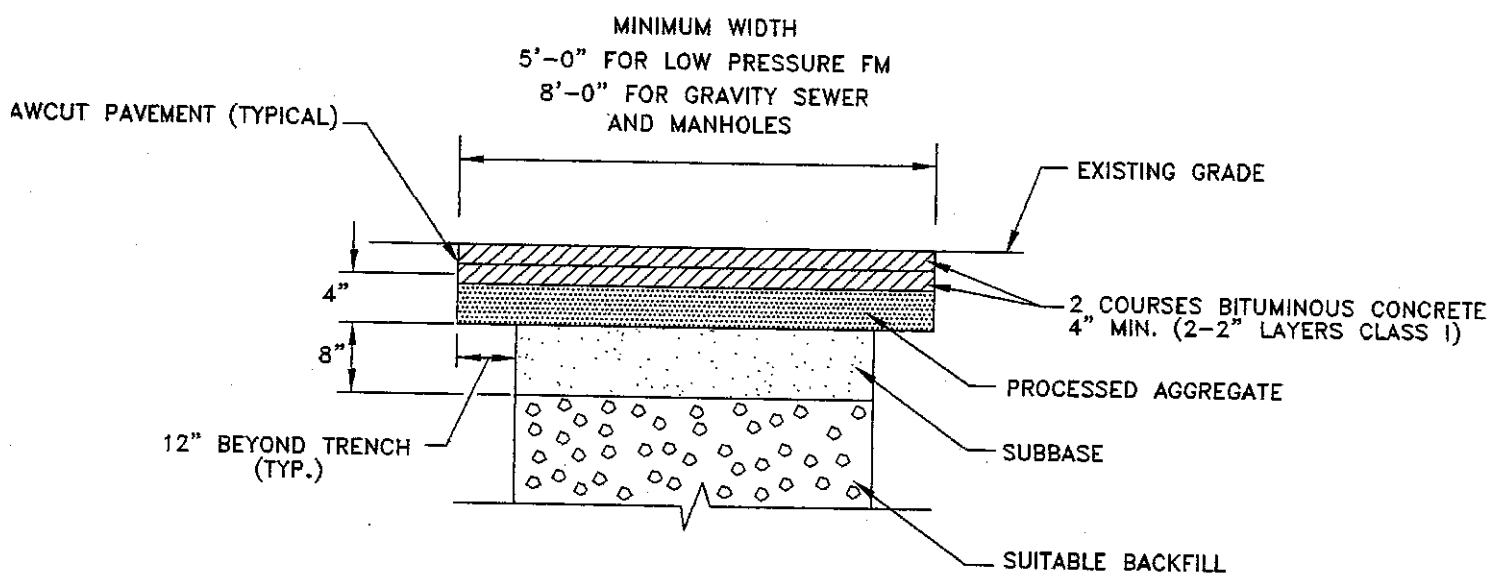
N.T.S.

MINIMUM WIDTH
3'-0" FOR LOW PRESSURE FM
6'-0" FOR GRAVITY SEWER
AND MANHOLES



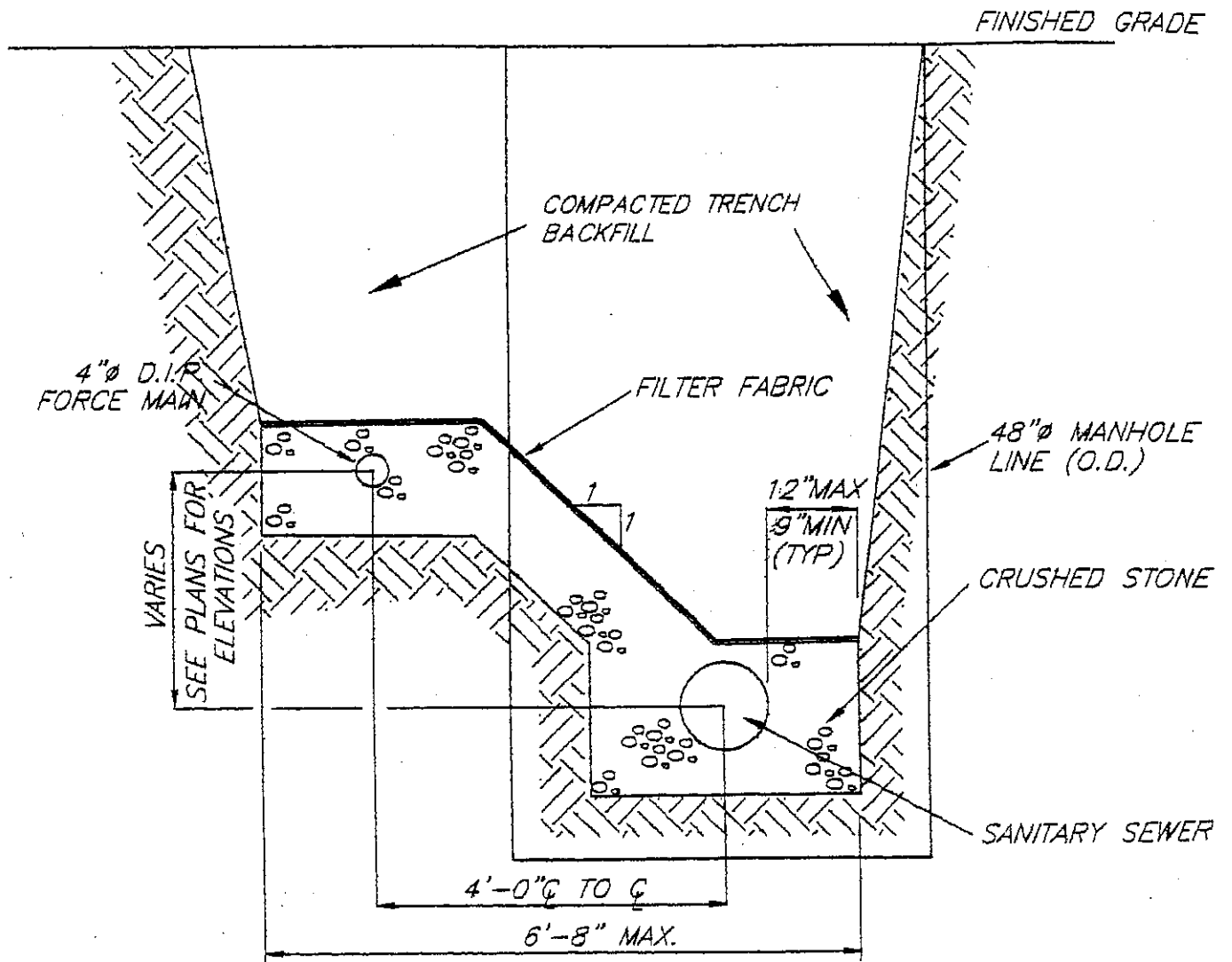
TEMPORARY PAVEMENT REPAIR

N.T.S.



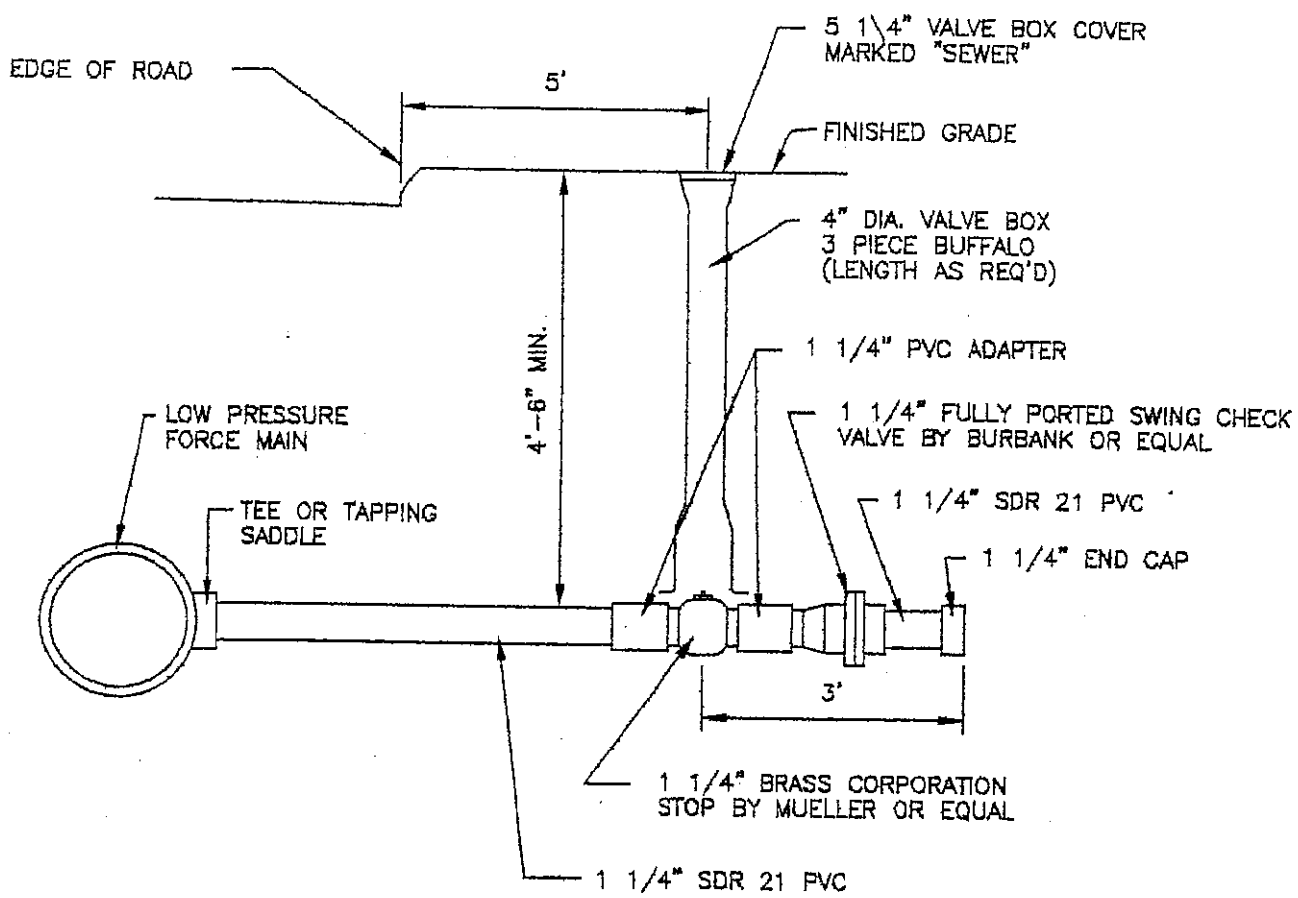
TEMPORARY PAVEMENT REPAIR

N.T.S.



TYPICAL TRENCH SECTION FOR
FORCE MAIN WITH SEWER MAIN

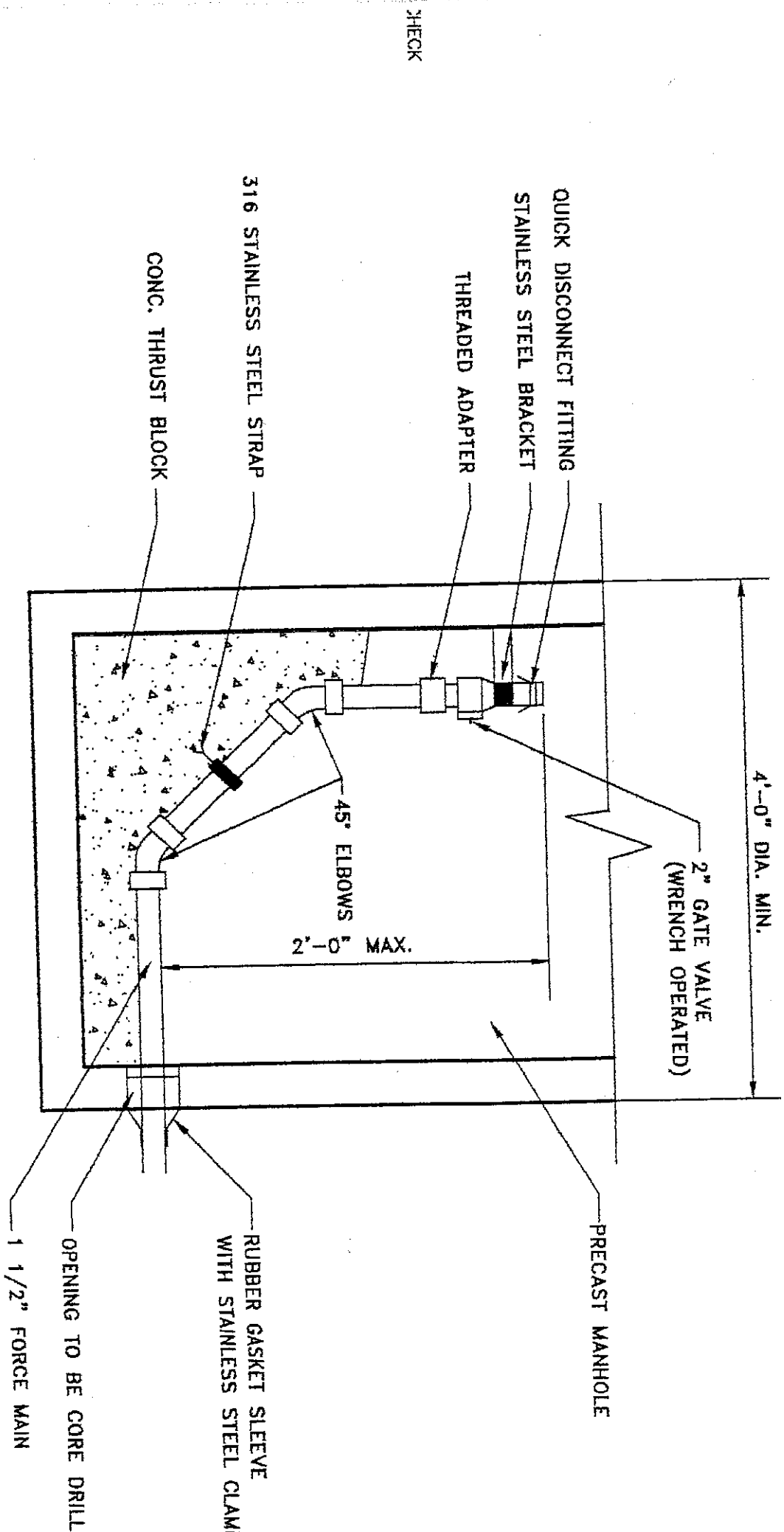
SCALE: 1/2" = 1'-0"



LOW PRESSURE FORCE MAIN

LATERAL DETAIL

N.T.S.



CHECK

LOW PRESSURE CLEANOUT

N.T.S.